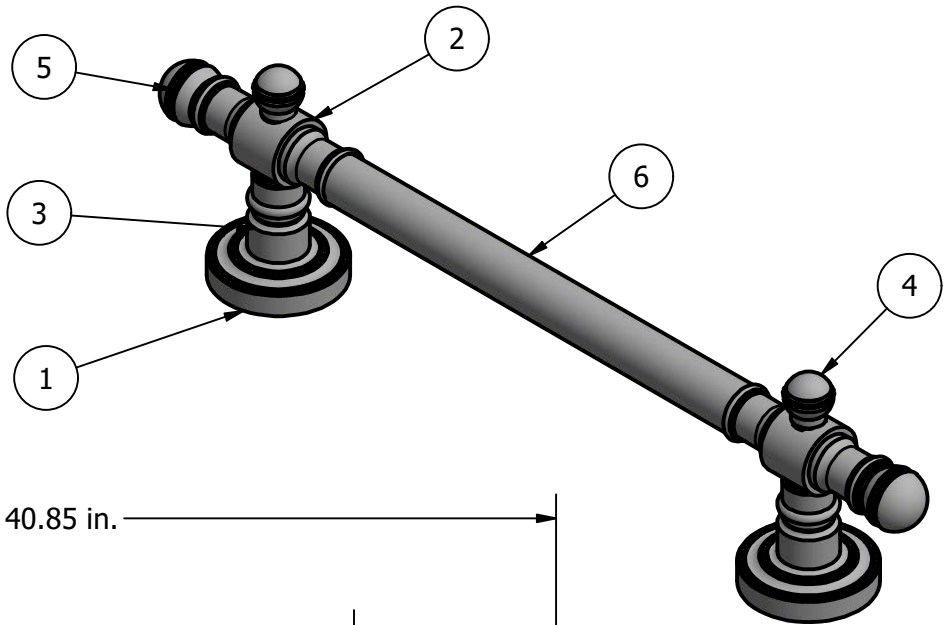
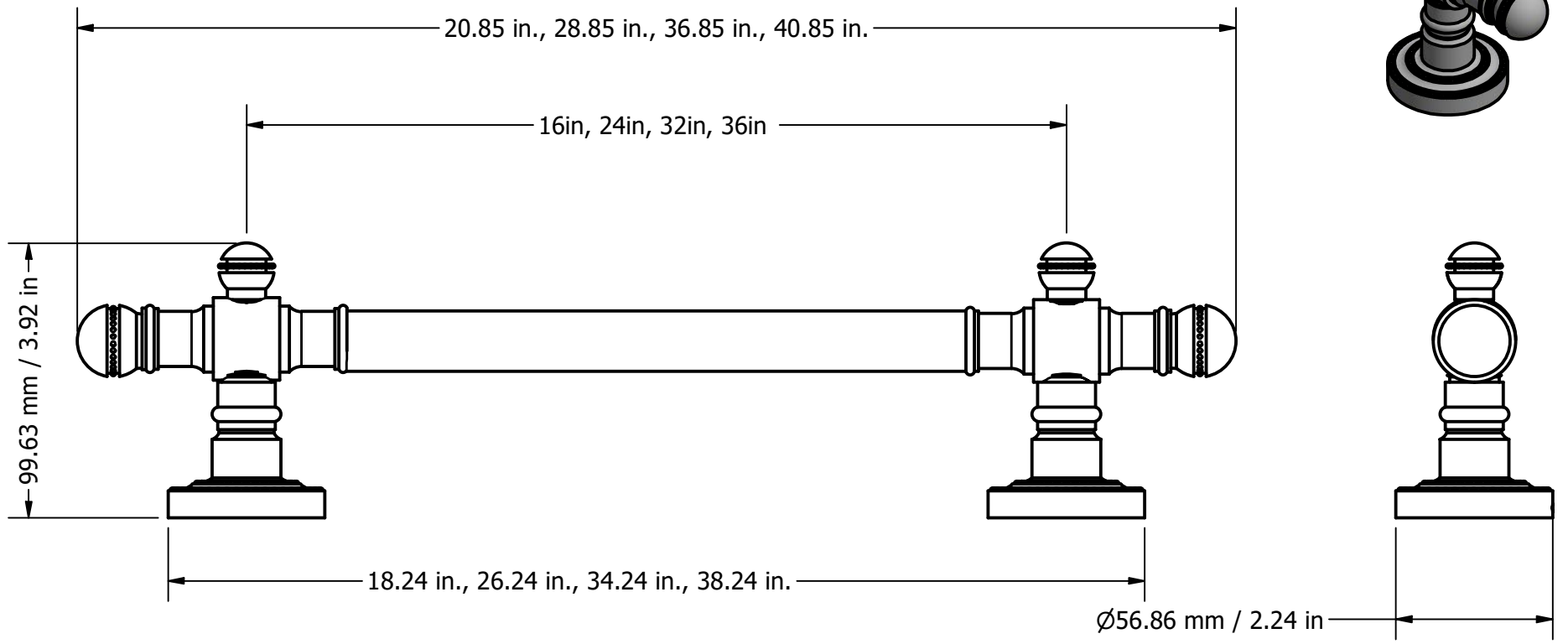


PARTS LIST			
ITEM	QTY	PART NUMBER	DESCRIPTION
1	2	BPDT	BACKPLATE
2	2	BKGBR	HUB
3	2	PSGBR	NECK
4	2	TKGBRD	DOTTED BALL
5	2	SKGBRD	END LOCK
6	1	TUGBR-16,24,32,36	TUBE



**APPROVED FOR PRODUCTION**  
 By: RICHARD PAUL  
 Date: 2-16-21



UNLESS OTHERWISE SPECIFIED	
.X	± .3mm
.XX	± .15mm
.XXX	± .008mm

UNIT IS IN MM.

DRAWN	2-16-21	IM	MATERIAL:	BRASS		FINISH	TBD
CHECKED	2-16-21	P.D.	DESCRIPTION:	Dottingham Collection Reeded Grab Bar		QTY	TBD
APPROVED	2-16-21	R.A.			DRAWING NO.		REV
THIRD ANGLE PROJECTION					DT-GRR		0
			SCALE		1.5:1	SHEET: 1 OF 1	A4

2

1